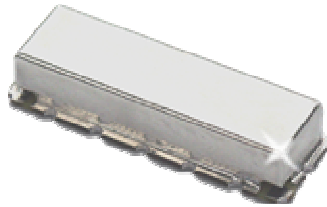


# KR Electronics 2538 Bandpass Filter

## General Description

KR 2538 is a 85 MHz surface mount bandpass filter. Other center frequencies and bandwidths available. Please consult the factory.

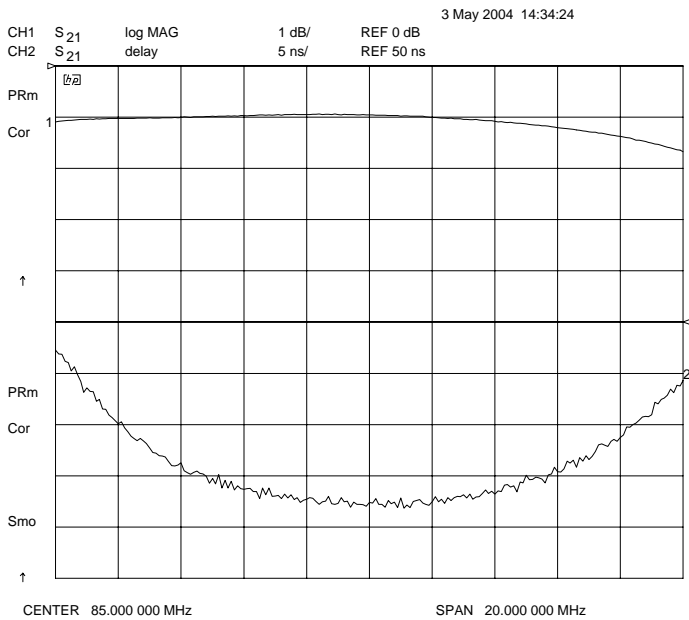


## Features

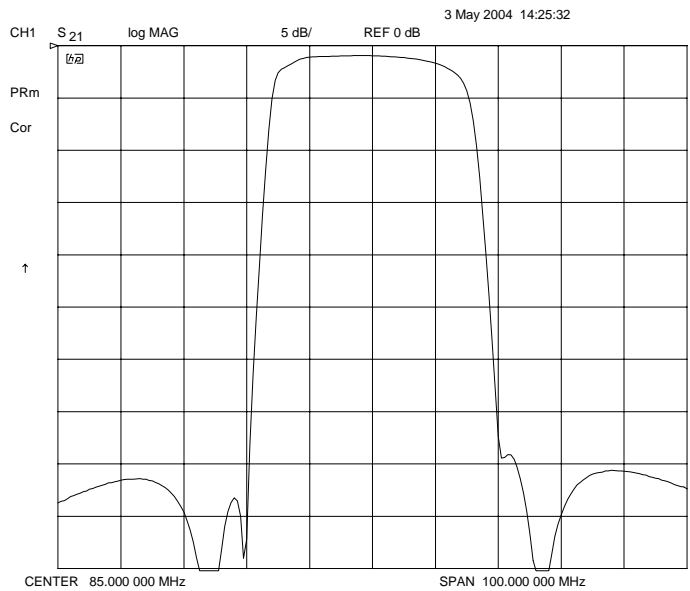
- Surface Mount Package
- Sharp Transition to Stopband
- 20 MHz 1 dB Bandwidth
- 50  $\Omega$  Source and Load

## Typical Performance

**Passband Amplitude & Group Delay**  
(1 dB/div and 5 nsec/div)



**Overall Response**  
(5 dB/div)



KR Electronics, Inc.  
91 Avenel Street  
Avenel, NJ 07001

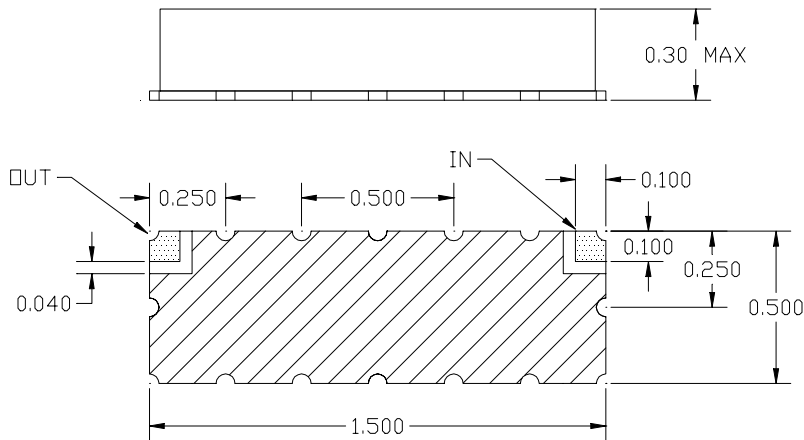
Web www.krfilters.com  
Email sales@krfilters.com  
Phone (732) 636-1900  
Fax (732) 636-1982

# KR Electronics 2538 Bandpass

## Specifications

Parameter	Specification
Filter type	Bandpass
Center Frequency	85 MHz
Insertion Loss	< 4 dB (1 dB typical)
Min 1 dB Bandwidth	20 MHz
Attenuation at 65 MHz & below	> 35 dB
Attenuation 105 MHz & above	> 27 dB
Source and Load	50 Ω

## Physical Dimensions



**Notes:**

1. Surface mount package — Metal cover, open frame
2. Dimensions in inches
3. Use SN60 or SN63 solder during installation
4. If boards are cleaned after installation, units must be completely dried to remove any entrapped moisture that will effect electrical performance